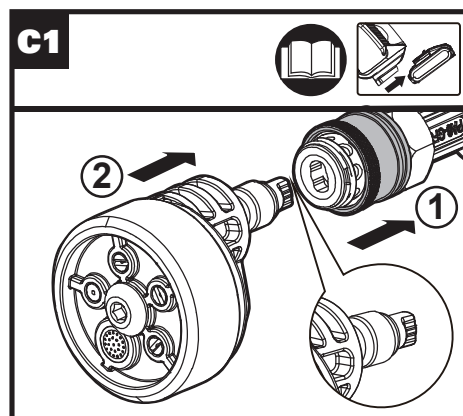
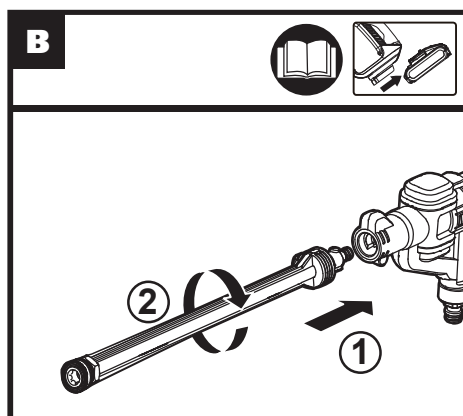
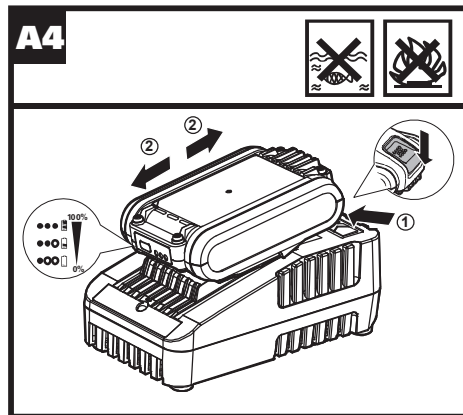
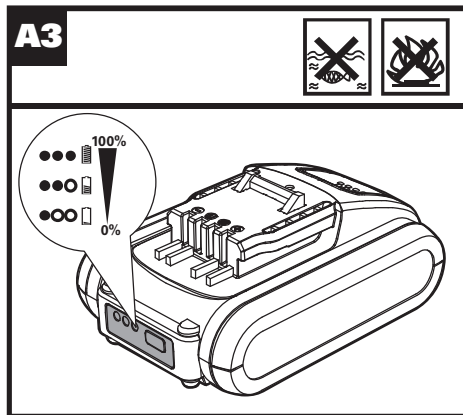
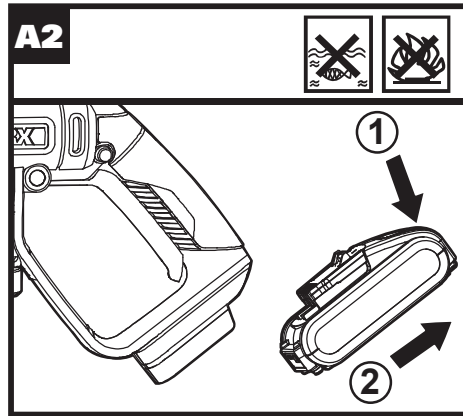
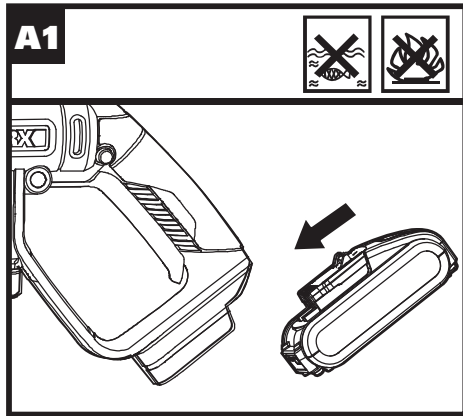


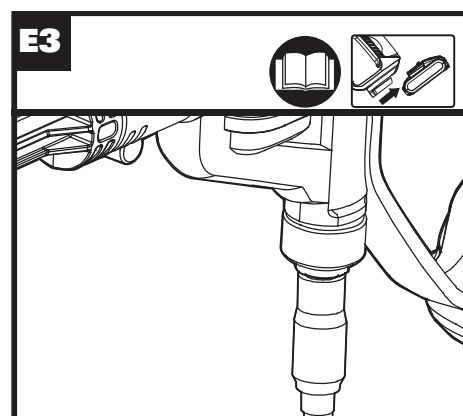
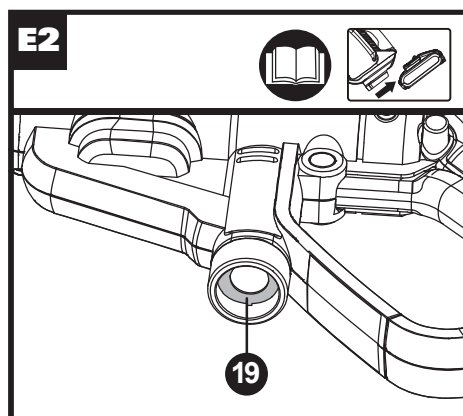
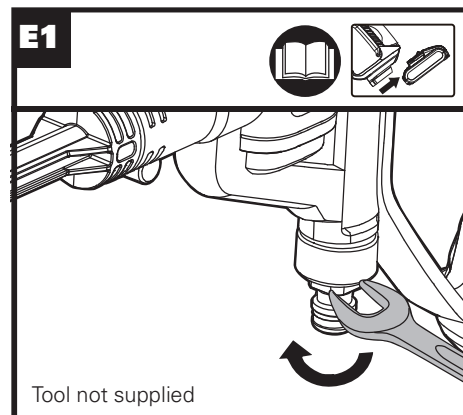
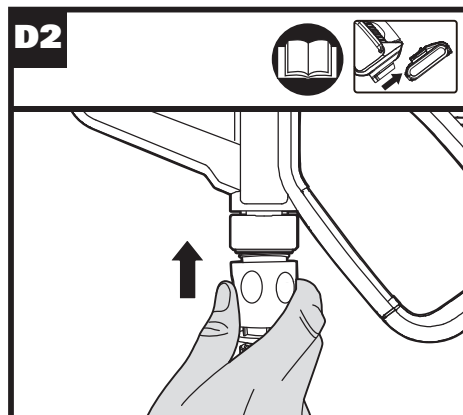
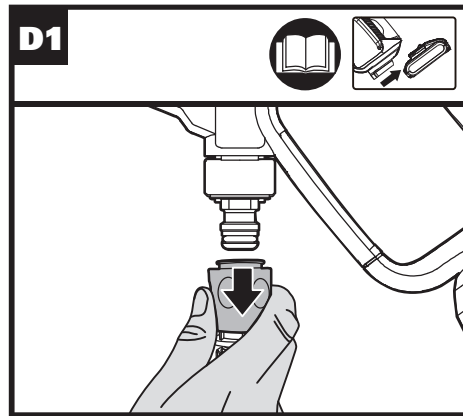
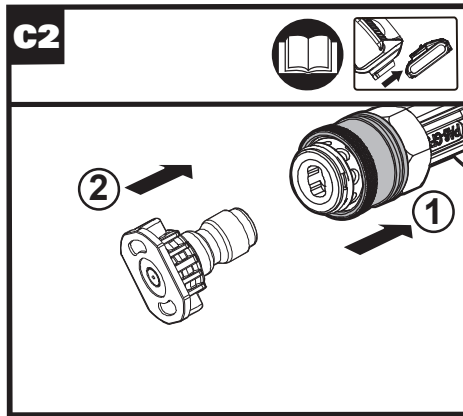
**HYDROSHOT™**

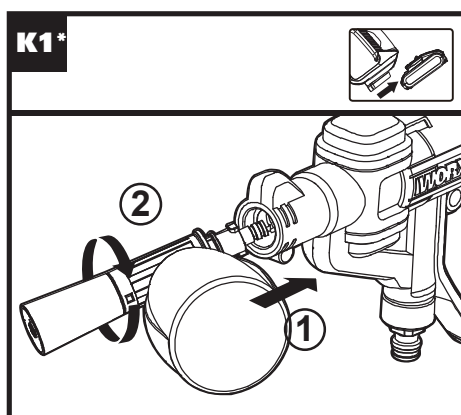
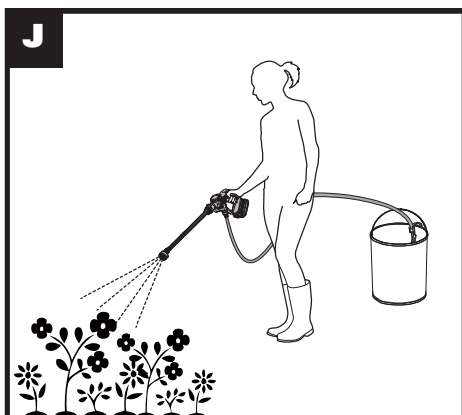
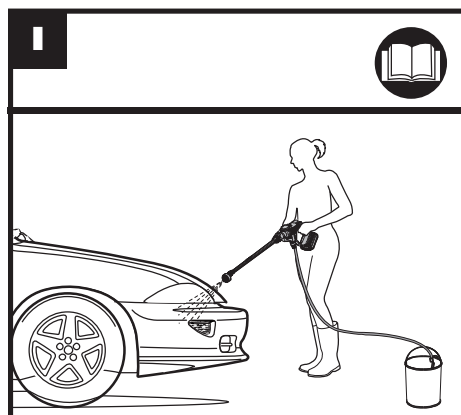
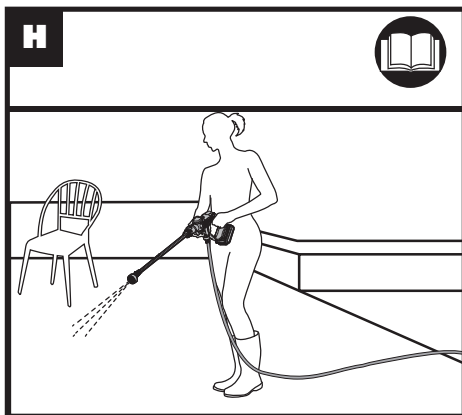
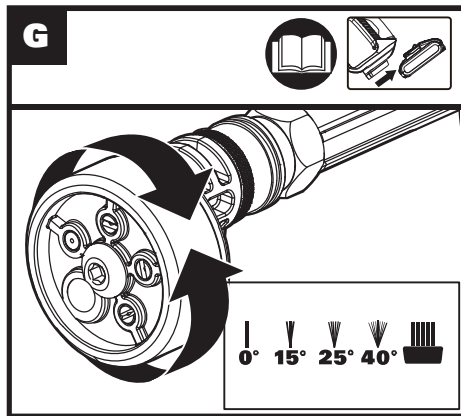
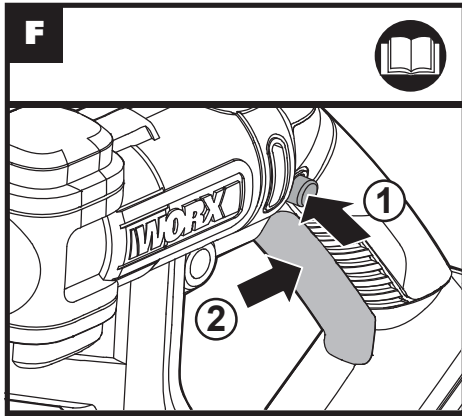
**SAFETY AND OPERATING MANUAL**

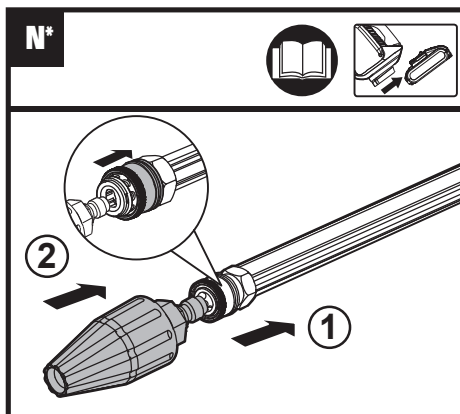
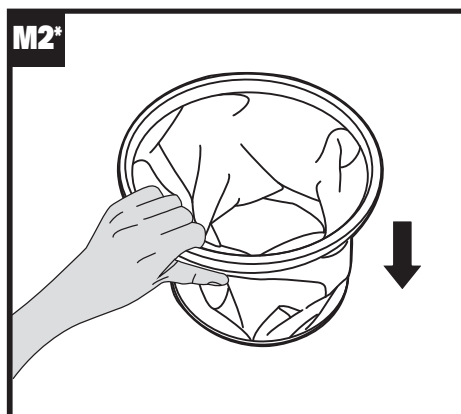
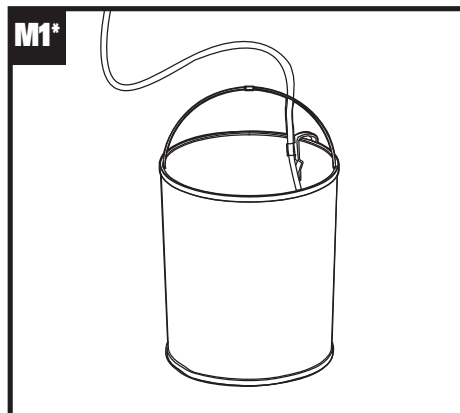
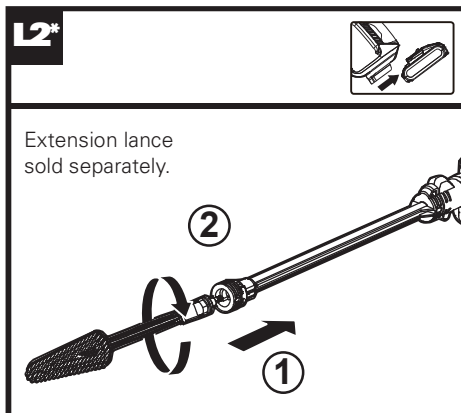
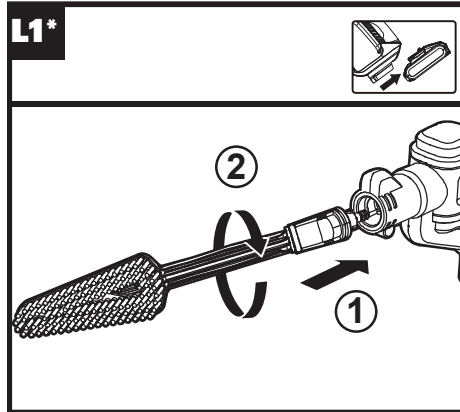
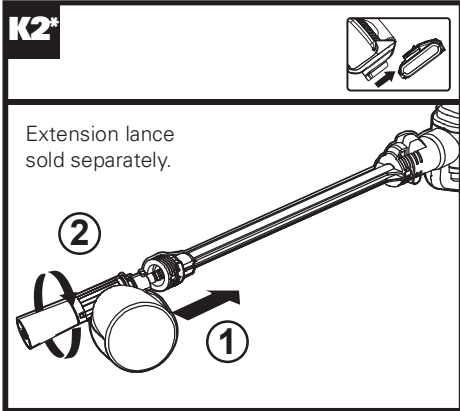
**2 in 1: Portable Power Cleaner/Water Sprayer**  
**WG620E WG620E.2 WG620E.4**  
**WG620E.5 WG620E.6 WG620E.7 WG620E.9**

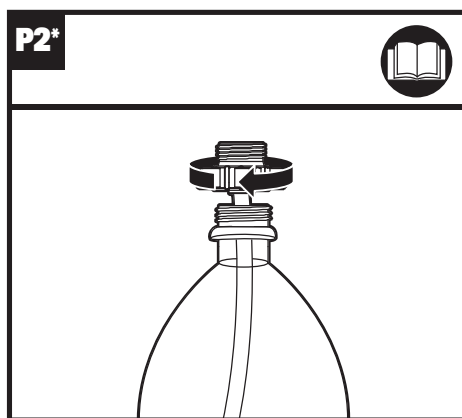
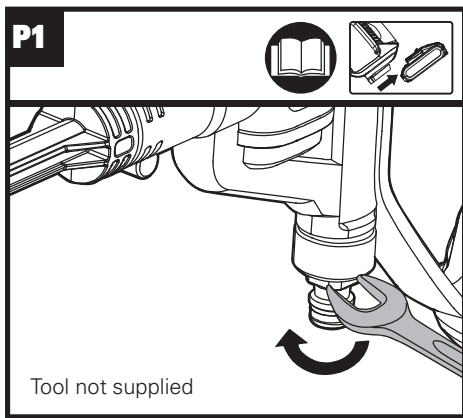
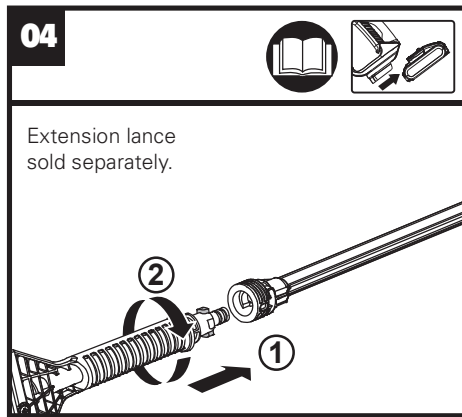
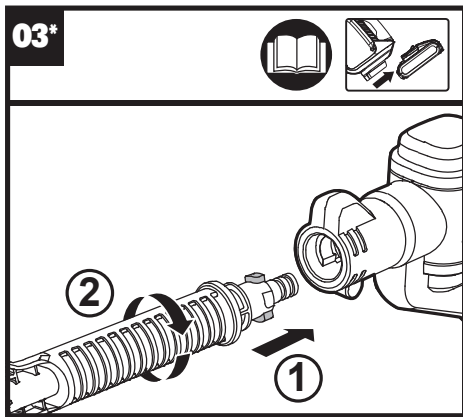
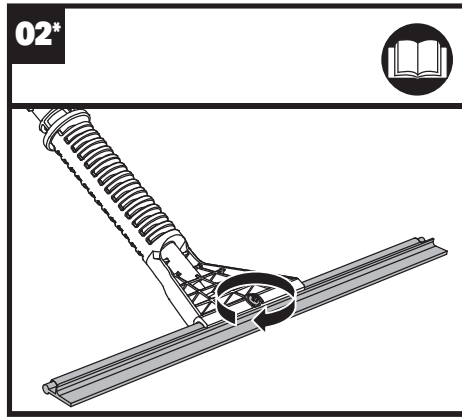
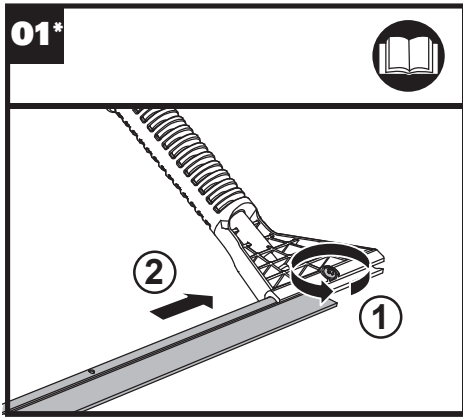


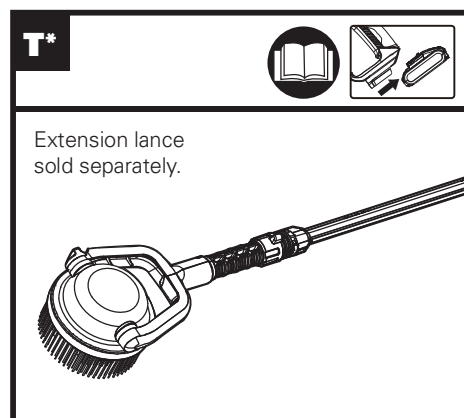
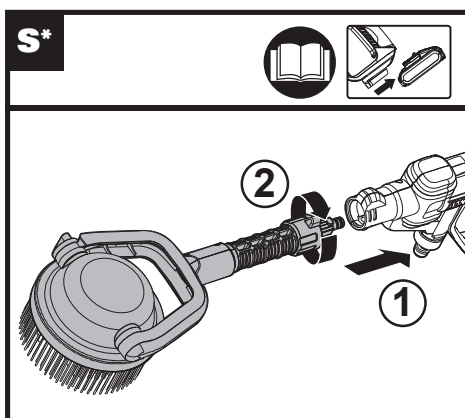
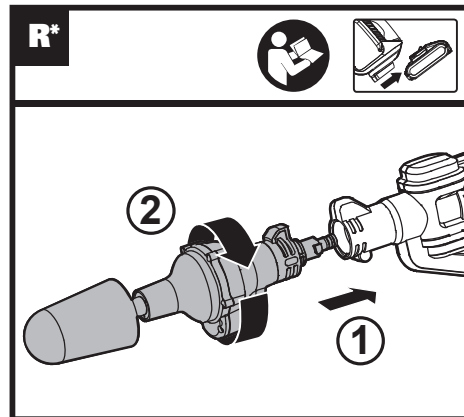
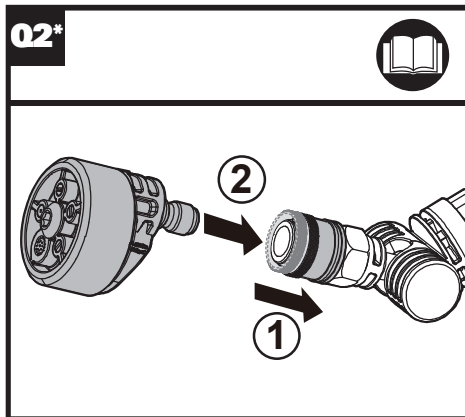
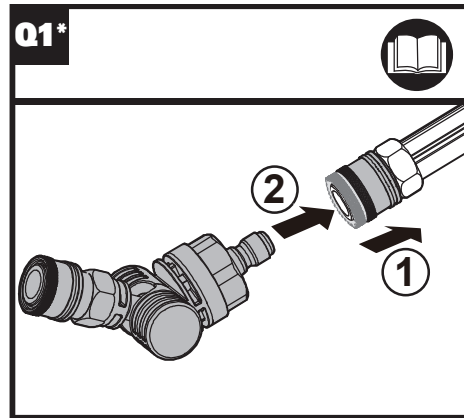
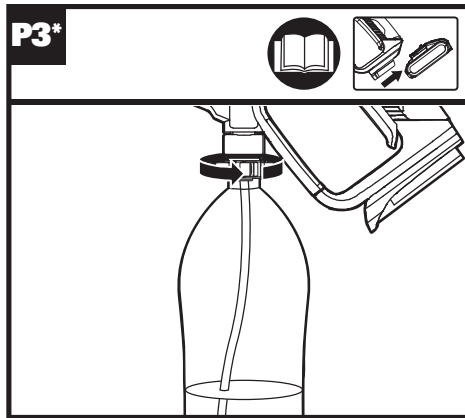




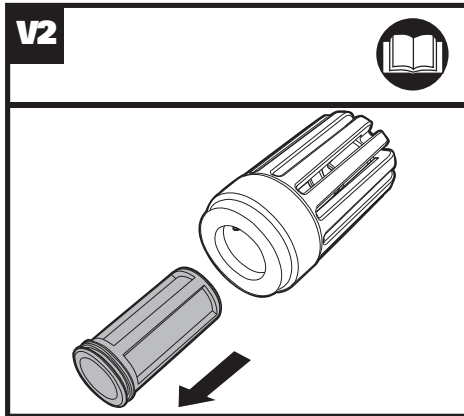
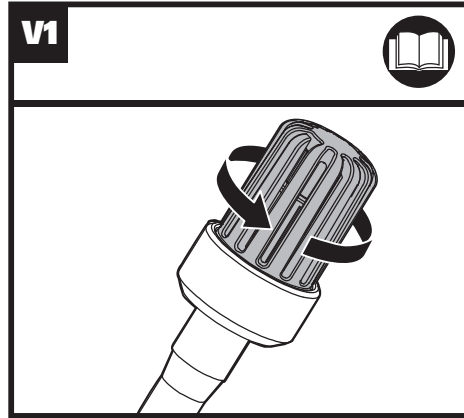
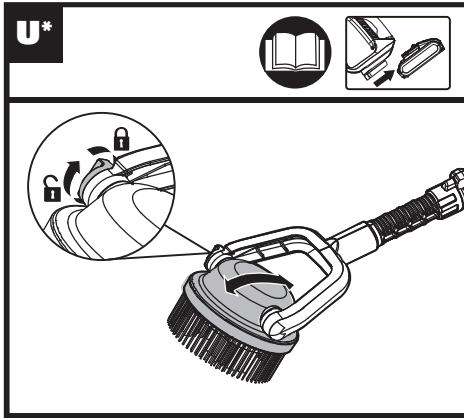












## PRODUCT SAFETY GENERAL SAFETY WARNINGS



**WARNING** Read all safety warnings and all instructions. Failure to follow the warnings and instructions may result in electric shock, fire and/or serious injury.

**Save all warnings and instructions for future reference.**

- This appliance is not intended for use by persons (including children) with reduced physical, sensory or mental capabilities, or lack of experience and knowledge, unless they have been given supervision or instruction concerning use of the appliance by a person responsible for their safety.
- Children should be supervised to ensure that they do not play with the appliance.
- The appliance is only to be used with the power supply unit provided with the appliance.

### Safety warnings for battery-operated appliances

1. Non-rechargeable batteries are not to be recharged.
2. Rechargeable batteries are to be removed from the appliance before being charged.
3. Different types of batteries or new and used batteries are not to be mixed.
4. Batteries are to be inserted with the correct polarity.
5. Exhausted batteries are to be removed from the appliance and safely disposed of.
6. If the appliance is to be stored unused for a long period, the batteries should be removed.
7. The supply terminals are not to be short-circuited.

### Additional safety warnings for liquid cleaner

1. The liquid must not be directed towards equipment containing electrical components.
2. Remove or disconnect the battery pack after use and before carrying out user maintenance on the appliance.
3. The appliance shall not be left unattended while it is connected to the battery pack.
4. The appliance is not to be used if it has been dropped, if there are visible signs of damage or if it is leaking.
5. Keep the appliance out of reach of children when it is energized.











## SAFETY WARNINGS FOR BATTERY PACK

- a) Do not dismantle, open or shred cells or battery pack.
- b) Do not short-circuit a battery pack. Do not store battery packs haphazardly in a box or

drawer where they may short-circuit each other or be short-circuited by conductive materials. When battery pack is not in use, keep it away from other metal objects, like paper clips, coins, keys, nails, screws or other small metal objects, that can make a connection from one terminal to another. Shorting the battery terminals together may cause burns or a fire.

- c) Do not expose battery pack to heat or fire. Avoid storage in direct sunlight.
- d) Do not subject battery pack to mechanical shock.
- e) In the event of battery leaking, do not allow the liquid to come into contact with the skin or eyes. If contact has been made, wash the affected area with copious amounts of water and seek medical advice.
- f) Seek medical advice immediately if a cell or battery pack has been swallowed.
- g) Keep battery pack clean and dry.
- h) Wipe the battery pack terminals with a clean dry cloth if they become dirty.
- i) Battery pack needs to be charged before use. Always refer to this instruction and use the correct charging procedure.
- j) Do not maintain battery pack on charge when not in use.
- k) After extended periods of storage, it may be necessary to charge and discharge the battery pack several times to obtain maximum performance.
- l) Battery pack gives its best performance when it is operated at normal room temperature (20°C ± 5°C).
- m) When disposing of battery packs, keep battery packs of different electrochemical systems separate from each other.
- n) Recharge only with the charger specified by Worx. Do not use any charger other than that specifically provided for use with the equipment. A charger that is suitable for one type of battery pack may create a risk of fire when used with another battery pack.
- o) Do not use any battery pack which is not designed for use with the equipment.
- p) Keep battery pack out of the reach of children.
- q) Retain the original product literature for future reference.
- r) Remove the battery from the equipment when not in use.
- s) Dispose of properly.
- t) Do not mix cells of different manufacture, capacity, size or type within a device.
- u) Do not remove battery pack from its original packaging until required for use.
- v) Observe the plus (+) and minus (-) marks on the battery and ensure correct use.

## SYMBOLS

	Warning
	Read operator's manual
 Li-Ion	Li-Ion battery. This product has been marked with a symbol relating to 'separate collection' for all battery packs and battery pack. It will then be recycled or dismantled in order to reduce the impact on the environment. Battery packs can be hazardous for the environment and for human health since they contain hazardous substances.
 Li-Ion	
	Do not burn
	Batteries may enter water cycle if disposed improperly, which can be hazardous for ecosystem. Do not dispose of waste batteries as unsorted municipal waste.
	Remove battery from the socket before carrying out any adjustment, servicing or maintenance.
	Unlock
	Lock
	RCM marking

**ABN:** Australian Business Number. By this number, business information such as entity type, status, business location etc. can be found at website <http://abr.business.gov.au>.  
ABN of Positec Australia Pty Limited is 14 101 682 357.

## COMPONENT LIST

<b>1. LOCK-OFF SWITCH</b>
<b>2. BATTERY PACK RELEASE BUTTON</b>
<b>3. BATTERY PACK *</b>
<b>4. ON/OFF SWITCH LEVER</b>
<b>5. HOSE ADAPTER</b>
<b>6. POWER NOZZLE</b>
<b>7. PRESSURE CLEANING LANCE</b>
<b>8. NOZZLE ADAPTER</b>
<b>9. MULTI-SPRAY NOZZLE</b>
<b>10. FIXING NAIL</b>
<b>11. HOSE CONNECTOR</b>
<b>12. HOSE FILTER</b>
<b>13. HOSE CLIP</b>
<b>14. HOSE</b>
<b>15. FLOATER</b>
<b>16. SOAP BOTTLE* (WA4036)</b>
<b>17. BRUSH* (WA4048)</b>
<b>18. FOLDABLE WATER BUCKET* (WA4015)</b>
<b>19. FILTER SCREEN (SEE FIG. E2)</b>
<b>20. TURBO NOZZLE * (WA4037)</b>
<b>21. WINDOW SQUEEGEE WITH WATER SPRAYER * (WA4050)</b>
<b>22. BOTTLE CAP CONNECTOR * (WA4038)</b>
<b>23. EXTENSION LANCE* (WA4012)</b>
<b>24. PIVOTING QUICK CONNECT ADAPTER* (WA4039)</b>
<b>25. ROTARY CLEANING BRUSH* (WA4042)</b>
<b>26. ADJUSTABLE POWER SCRUBBER* (WA1820 / WA1821)</b>
<b>27. SHORT LANCE* (WA4013)</b>
<b>28. NOZZLE (0°/15°) *</b>

11

\*Not all the accessories illustrated or described are included in standard delivery.

**2 in 1: Portable Power Cleaner/Water Sprayer**  
**WG620E WG620E.2 WG620E.4**  
**WG620E.5 WG620E.6 WG620E.7 WG620E.9**

## TECHNICAL DATA

Type Designation **WG620E WG620E.2 WG620E.4 WG620E.5 WG620E.6 WG620E.7 WG620E.9 (G20-G49 - designation of machinery, representative of battery-powered washer)**

	WG620E WG620E.2 WG620E.4 WG620E.5	WG620E.6 WG620E.7	WG620E.9
Voltage	20 V $\approx$ Max**		
Max. pressure	2.4 Mpa (24 bar)		
Rated pressure	2.2 Mpa (22 bar)		
Max water flow rate	120 L/h		
Max. inlet water pressure	0.6 Mpa (6 bar)		
Suction height	Max. 1.5 m		
Weight (with lance)	1.7 kg	1.8 kg	1.3 kg

\*\*Voltage measured without workload. Initial battery voltage reaches maximum of 20 volts. Nominal voltage is 18 volts.

12

## ACCESSORIES

	WG620E	WG620E.2	WG620E.4	WG620E.5	WG620E.6	WG620E.7	WG620E.9
Hose (6m)	1	1	1	1	1	1	1
Pressure cleaning lance	1	1	1	1	1	1	1
Multi-Spray nozzle	1	1	1	1	1	/	1
Battery pack (WA3551)	1	1	2	2	1	1	/
Charger (WA3880)	1	1	1	1	1	/	/
Charger (WA3760)	/	/	/	/	/	1	/
Brush (WA4048)	/	1	1	/	/	/	/
Soap bottle (WA4036)	/	1	1	/	/	/	/
Foldable water bucket (WA4015)	/	1	1	/	/	/	/
Bottle cap connector (WA4038)	/	1	1	1	1	/	/
Turbo nozzle (WA4037)	/	/	/	/	/	/	/

Window squeegee with water sprayer (WA4050)	/	/	/	/	/	/	/
Extension lance (WA4012)	/	/	/	/	/	/	/
Pivoting quick connect adapter (WA4039)	/	/	/	/	/	/	/
Rotary cleaning brush (WA4042)	/	/	/	/	/	/	/
Adjustable power scrubber (WA1820 / WA1821)	/	/	/	/	/	/	/
Short lance (WA4013)	/	/	/	/	/	/	/
0° Nozzle	/	/	/	/	/	1	/
15° Nozzle	/	/	/	/	/	/	1

We recommend that you purchase your accessories from the same store that sold you the tool. Refer to the accessory packaging for further details. Store personnel can assist you and offer advice.

## OPERATING INSTRUCTIONS



**NOTE:** Before using the tool, read the instruction book carefully.




### INTENDED USE


This tool is intended for cleaning and watering.

### ASSEMBLY & OPERATION

ACTION	FIGURE
<b>BEFORE OPERATION</b>	
Installing the battery pack	See Fig. A1
Removing the battery pack	See Fig. A2
Checking the battery condition <b>NOTE:</b> Fig. A3 only applies for the battery pack with battery indicator light.	See Fig. A3
Charging the battery pack More details can be found in charger's manual	See Fig. A4
<b>ASSEMBLY</b>	
Attaching pressure cleaning lance to the power nozzle <b>NOTE:</b> When attaching, align the two projections on the lance with the grooves of the power nozzle as shown in Fig. B.	See Fig. B

**2 in 1: Portable Power Cleaner/Water Sprayer**  
**WG620E WG620E.2 WG620E.4**  
**WG620E.5 WG620E.6 WG620E.7 WG620E.9**

Attaching the multi-spray nozzle <b>NOTE:</b> when attaching, rotate the nozzle left and right to make sure the nozzle fully seated into position and gently pulling it to make sure it is locked into position securely.	See Fig. C1
Attaching the 0°/ 15° nozzle	See Fig. C2
Attaching the hose to the power nozzle <b>NOTE:</b> After the hose is attached, check the connection by gently pulling upon the hose. It should not be pulled off.	See Fig. D1, D2
Attaching your own water hose (optional) 1. Remove the hose adapter 2. Attach the home garden hose with suitable connectors <b>NOTE:</b> Besides the hose supplied, you can also connect the power nozzle to your own water hose with suitable connectors. <b>NOTE:</b> Check whether the filter screen is missing before retightening the hose adapter. When retightening the quick hose adapter, please tighten securely. Otherwise, it may not draw any water for proper operation.	See Fig. E1, E2, E3
<b>OPERATION</b>  <b>WARNING: The supplied battery is not waterproof. To avoid risk of battery failure, protect the battery from water exposure during use. Store the tool and battery in a dry place after use.</b>	
Start <b>NOTE:</b> At the first use, you need to empty the air in hose, place the power nozzle below waist level (<1.5m/5ft) and set it at high pressure. Do not start working until the water goes up along the hose and sprays out. This could take up to 30 seconds or more depending on the fresh water source.	See Fig. F
Selecting the nozzle pattern <b>NOTE:</b> Choose a suitable nozzle pattern according to your work. Spray patterns 0°, 15°, 25° and 40° are applicable for cleaning, and the spray pattern with the symbol  is best suitable for watering.  <b>WARNING:</b> Do not shift the nozzle pattern when the tool is powered on.	See Fig. G

Cleaning  <b>WARNING: Do not connect the machine to water supplies that are dirty, rusty, muddy, or corrosive. (Including window cleaning liquids, plant foods, or fertilizers etc.)</b> <b>NOTE:</b> For proper maintenance after using with sea water, the product should be rinsed by fresh water.	See Fig. H, I
Watering	See Fig. J

## ATTACHMENT OF ACCESSORIES

A number of accessories have been supplied with this product and are required for use in different applications. **Do not attempt to use cleaning without a lance or any accessories attached.**

### 1. Soap bottle (WA4036, sold separately)

Soap bottle provides detergent suds for deeper cleaning of dirt. It is used in conjunction with power nozzle or extension lance. (See Fig. K1, K2)

### 2. Brush (WA4048, sold separately)

Brush is for cleaning cars, boats, motorcycles etc. It is used in conjunction with power nozzle or extension lance. (See Fig. L1, L2)

### 3. Foldable water bucket (WA4015, sold separately)

Foldable water bucket allows you to connect to water supply when you are far away from a water source. When not in use, it can be folded for storage. (See Fig. M1, M2)

### 4. Turbo nozzle (WA4037, sold separately)

The turbo nozzle delivers 360° of rotating water, which cleans a larger area than the 0° water pattern during the same time period. Recommend to use it with high pressure setting (See Fig. N)

### 5. Window squeegee with water sprayer (WA4050, sold separately)

The window squeegees quick connection easily snaps into the tool to spray water or wipe off water from glass or tiled surfaces. Suitable for the HydroShot power cleaner or the extension lance. (See Fig. O1, O2, O3, O4)

### 6. Bottle cap connector (WA4038, sold separately)

The bottle cap connector accessory allows the tool to directly connect with most 2 Liter bottles with approximately 1" openings. (NOTE: May not fit all consumable soda and water bottles) (See Fig. P1, P2, P3)

**WARNING:** Do not install the bottle cap connector

**2 in 1: Portable Power Cleaner/Water Sprayer**  
**WG620E WG620E.2 WG620E.4**  
**WG620E.5 WG620E.6 WG620E.7 WG620E.9**

accessory until it is ready to be used. The accessories vents will leak liquid, if a bottle is installed, with the machine lying on a surface.

**7. Pivoting Quick Connect Adapter (WA4039, sold separately)**

The Pivoting Quick Connect Adapter allows power cleaning tips to be fully adjusted up to 180° in any direction. Ideal for cleaning around hard-to-reach areas. Suitable for the HYDROSHOT™ power cleaner and multi-spray nozzle (See Fig. Q1, Q2)

**8. Rotary Cleaning Brush (WA4042, sold separately)**

The rotary cleaning brush accessory easily snaps into the tool for cleaning sensitive surfaces and around tight spaces. Suitable for the HYDROSHOT™ power cleaner with/without the extension lance installed. (See Fig. R)

**9. Adjustable Power Scrubber (WA1820 / WA1821), sold separately)**

The water powered rotary scrubber accessory easily snaps into the tool for cleaning hard surfaces. Suitable for the HYDROSHOT™ power cleaner with/without the extension lance installed. (See Fig. S, T, U) The soft scrubber (WA1820) is applicable for sensitive surfaces and the hard bristle scrubber (WA1821) is applicable for cleaning hard surfaces (not recommended for cars).

objects on the product.

Store the machine and the accessories in a frost free place.

## MAINTENANCE

**Remove the battery pack from the tool before carrying out any adjustment, servicing or maintenance.**

Inspect the product for damaged or worn parts before each use. Do not operate it if you find damaged or worn parts. Contact your supplier or the manufacturer for replacement parts.

**Hose filter maintenance**

Remove the hose filter from the hose and get out the strainer. Rinse the parts with clean water before reassembling. (See Fig. V1, V2)

**Filter screen maintenance**

Remove the hose adapter to get the filter screen. (See Fig. E1, E2) Rinse it with clean water before reassembling.

**Note:** When retightening the hose adapter, please tighten securely. Otherwise, it may not draw any water for proper operation.



**WARNING: Any other servicing should be performed by an authorized service representative.**

**CLEANING/STORAGE**

Before Storage, completely drain all the water from the machine and hose.

Clean the moulded plastic housing of the machine using a soft brush and clean cloth. Do not use water, solvents or polishes. Store in a secure and dry place out of the reach of children. Do not place other

**2 in 1: Portable Power Cleaner/Water Sprayer**

**WG620E WG620E.2 WG620E.4**

**WG620E.5 WG620E.6 WG620E.7 WG620E.9**

## TROUBLESHOOTING

Symptom	Possible causes	Solution
Machine turns on but it does not draw any water or there is not sufficient pressure.	Power nozzle is too high from the water source surface.	Lower the machine below 5ft/1.5m.
	Hose filter is blocked.	Take out the hose filter and rinse the parts with clean water. (See Fig. V1, V2)
	The users garden hose is not well connected to the machine.	Check and reattach the garden hose tightly. (See Fig. E1, E2, E3)
	Hose adapter looses. The filter screen is missing. (See Fig. E2)	Tighten the hose adapter securely with a spanner. Contact Worx service agent to get a filter screen.
	Pump, hose, or other parts are frozen due to outside temperatures.	Wait for the pump, hose or other parts to thaw.
	Hose kinks.	Straighten out the hose.
Multi-spray nozzle leaks.	The nozzle pattern does not spray correctly.	Make sure the nozzle pattern symbol aligns with the indicator mark on tool.
	Fixing nail of the multi-spray nozzle loosens.	Tighten it with a hex key.
Outlet pressure increases suddenly.	Multi-spray nozzle is blocked.	Replace with a new multi-spray nozzle.
Machine drains out water after stopping.	There is water remaining in the lance and pump after stopping.	Drain all the water completely before storage.
Soap accessory cannot spray out any detergent.	Blockage in the soap bottle.	Clean it with fresh water.
Machine does not start.	The battery pack is not attached well.	Reinstall the battery pack.
	Battery pack is empty.	Replace with a new battery pack or recharge the battery pack.
	Defective battery.	Replace with a new battery pack.
Machine pressure is not consistent.	Additional air could be sucked into the machine.	Check connection between the hose adapter and the hose.
	It is at low pressure setting.	No action need.
Machine stops automatically.	Battery pack is empty.	Replace with a new battery pack or recharge the battery pack.
	The multi-spray nozzle is blocked. The current protection is activated.	Remove the multi-spray nozzle and turn on the machine. If the machine works normally, replace with a new multi-spray nozzle.

**WORX**  
it's your nature

[www.worx.com](http://www.worx.com)

Copyright © 2020, Positec. All Rights Reserved.  
AR01513901

